

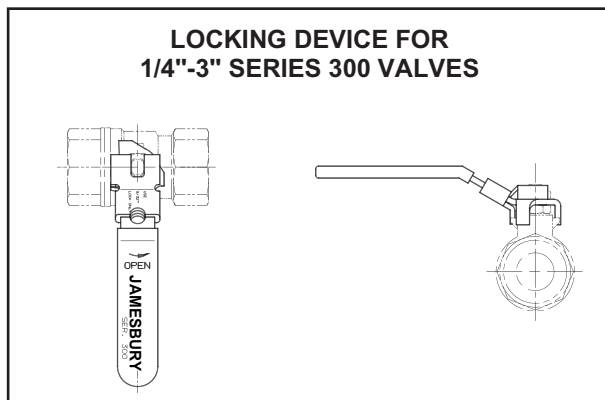
SPECIFICATIONS

LOCKING DEVICES FOR BALL VALVES

When safety measures are necessary for handling hazardous or valuable fluids, or are needed for applications covered by certain government regulations, reliable locking devices can be provided for securing JAMESBURY Double-Seal® ball valves or holding them inoperative.

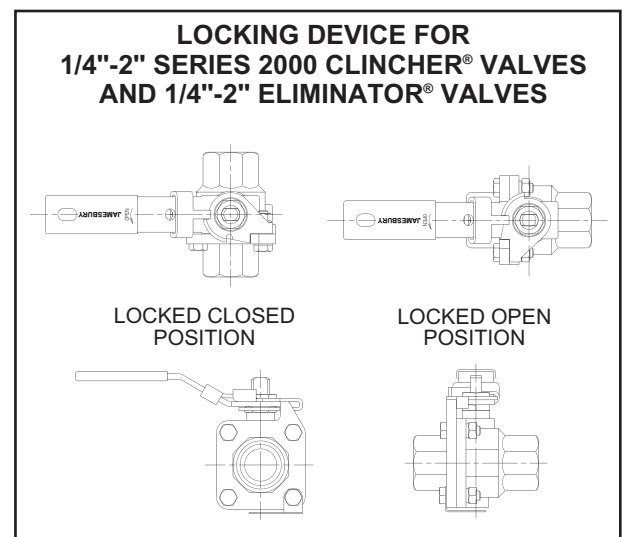
Standard designs permit locking the valve in either the closed or open position by means of padlock or pin. Arrangements for designs to fit valve styles other than those shown below are available upon request. Standard valve locking devices available are:

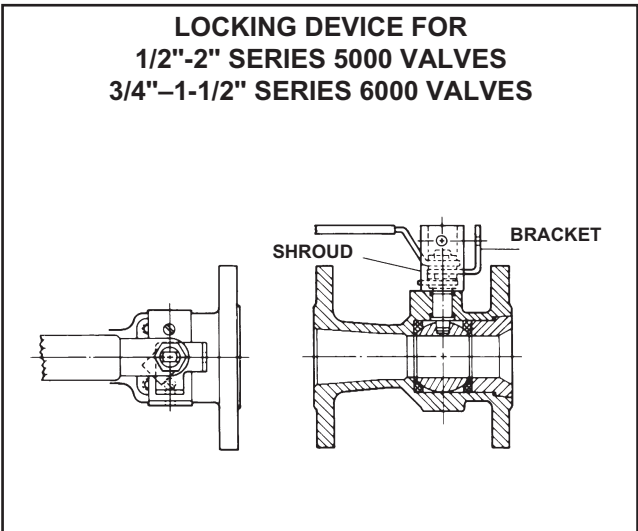
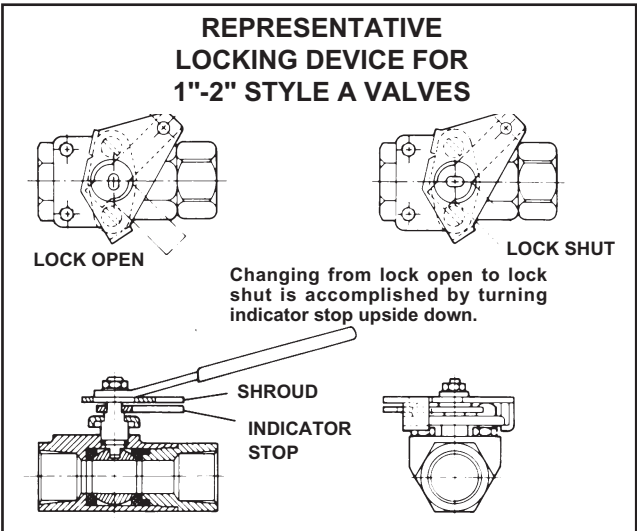
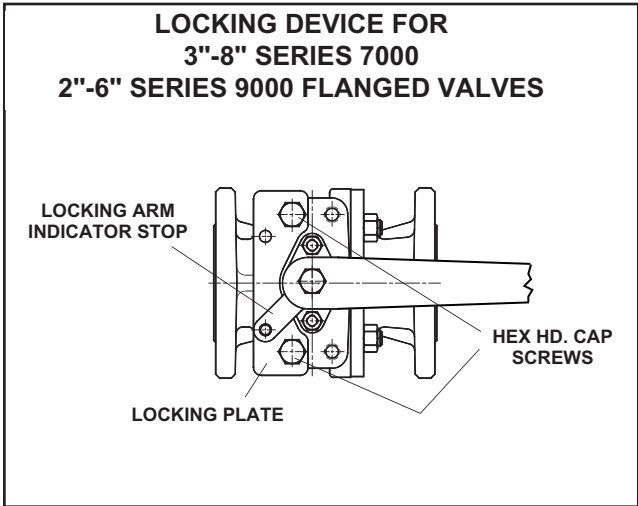
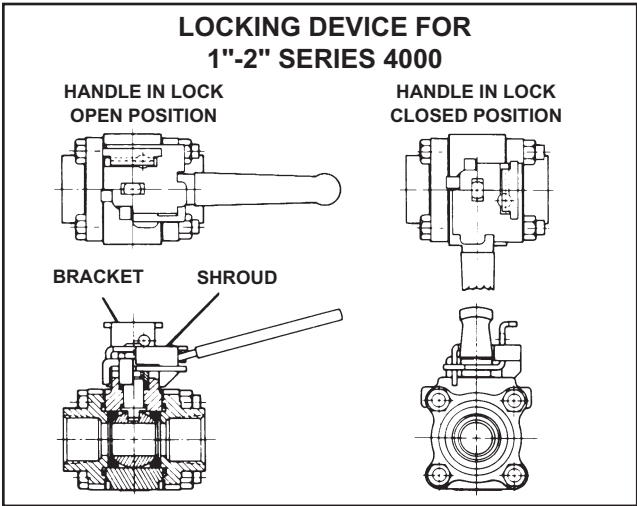
VALVE SERIES OR TYPE	VALVE SIZE		LOCKING DEVICE
	inches	DN	
3000	1/4-2	6-50	STD†
3A/3C	1/4-2	6-50	STD†
6F	1/4-2	6-50	STD†
300	1/4-3/4	6-20	LD-46
	1-1-1/4	25-30	LD-47
	1-1/2-2-1/2	40-65	LD-48
	3	80	LD-77
4000	1/2 (1/2)*	15	LD-42
	3/4	20	LD-43
	1-1-1/4	25-30	LD-44
	(3/4-1)*	20-25	
	1-1/2-2	40-50	LD-45
	(1-1/4-1-1/2)*	30-40	
2000 Clincher®	1/4-3/4	6-20	LD-53
	1-1-1/4	25-30	LD-54
A	1-1/2-2	40-50	LD-55
	1/4-3/4	6-20	LD-1
	1-1-1/4	25-30	LD-2
	1-1/2-2	40-50	LD-3



VALVE SERIES OR TYPE	VALVE SIZE		LOCKING DEVICE
	inches	DN	
Eliminator™	1/4-3/4	6-20	LD-53
	1-1-1/4	25-30	LD-54
	1-1/2-2	40-50	LD-55
5000	1/2-3/4	15-20	LD-50
	1	25	LD-51
	1-1/2-2	40-50	LD-52
7150	3-4	80-100	LD-56
	6	150	LD-57
	7300/730S	3	80
6000	4	100	LD-57
	6	150	LD-58
	3/4-1	20-25	LD-51
9150	1-1/2	40	LD-52
	2-3	50-80	LD-56
	4	100	LD-57
9300	6	150	LD-58
	2	50	LD-56
	3	80	LD-57

*Full port Series 4000 valve sizes shown in parenthesis.
† STD indicates that the standard valve includes a locking handle. Refer to applicable valve bulletin for details.





Installation, Maintenance and Operation Instructions

IMO's (Installation, Maintenance and Operating Instructions) or AMI's (Assembly, Mounting and Installation Instructions) are shipped with the products. Additional copies of these instructions are available. Call your local Jamesbury Inc. Distributor, or visit our web site.

INTERNATIONAL MANUFACTURING AND SALES LOCATIONS

UNITED STATES: Worcester, Massachusetts • MEXICO: Chihuahua

Our products are available through Neles Controls Sales offices in:

Australia, Austria, Belgium, Brazil, Canada, Chile, China, Denmark, Finland, France, Germany, Indonesia, Italy, Japan, South Korea, Netherlands, Norway, Poland, Portugal, Russia, Saudi Arabia, Singapore, South Africa, Spain, Sweden, Switzerland, Thailand, United Arab Emirates, United Kingdom, Venezuela, as well as through a world-wide network of representatives.



Jamesbury Inc. • 640 Lincoln Street • Box 15004
Worcester, Massachusetts 01615-0004 USA
Tel: 508-852-0200 • Fax: 508-852-8172 • Internet: www.jamesbury.com

NELES CONTROLS GROUP • A MEMBER OF RAUMA CORPORATION