

# JACKETED WAFER-SPHERE® HIGH-PERFORMANCE BUTTERFLY VALVES

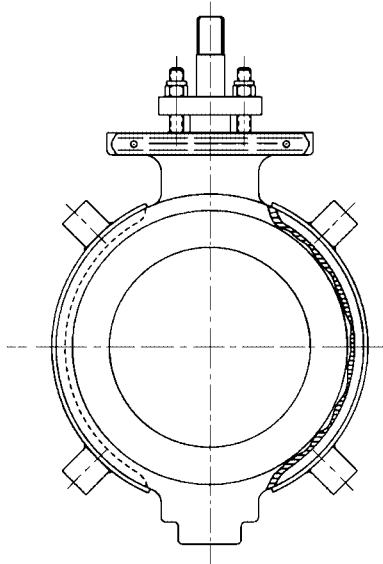
WAFER-SPHERE high-performance butterfly valves can be furnished with jackets for easier handling of highly viscous materials or to prevent clogging of the valve when handling materials that might otherwise solidify.

Both wafer and single flanged lugged style valves can be jacketed. Wafer type valves are recommended due to their more regular body configuration facilitating efficient heat transfer and lower cost\*. For 3" – 12" (DN 80 – 300) Series 815 (Class 150) and Series 830 (Class 300), valve jackets are fabricated by welding cover plates with pipe couplings over the recesses that exist on each side of the valve body. Larger (14" – 60" [DN 350 – 1500]) valves and Series 860 (Class 600) designs require recesses to be machined into the sides of the valve body. This does not affect valve pressure ratings as wall thickness remains well above minimum ANSI requirements.

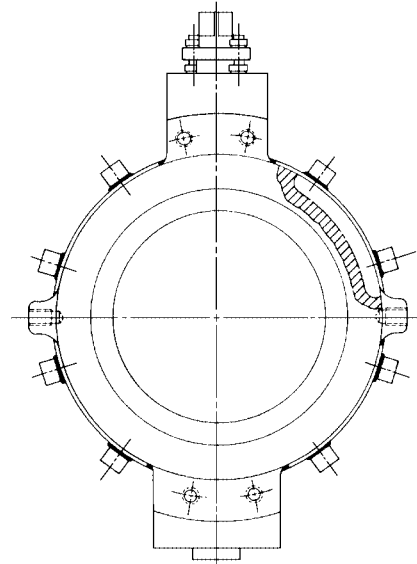


The standard jacket connection arrangement for 3" – 12" (DN 80 – 300) valves is four diagonal pipe couplings (3/8" (10mm) NPT for 3" and 4" (DN 80 and 100) valves, 1/2" (15mm) NPT for 6" – 12" (DN 150-300) sizes) as shown on the 6" (DN 150) valve below. Larger (14" – 60" [DN 350-1500]) valves require eight pipe connections to handle heat transfer fluid flow through the four body recesses as shown on the 20" (DN 500) valve below.

Jackets do not change the face-to-face dimension of the valve assembly. Standard piping flanges and flange bolts may be used as the jackets do not interfere with the bolts.



6" (DN 150) Type 815W Valve



20" (DN 500) Type 815W Valve

\* Consult factory for information on jacketed single flange lugged valves.

## HIGH PERFORMANCE BUTTERFLY VALVE INFORMATION

For detailed information on *WAFER-SPHERE* high performance butterfly valves, please refer to the following bulletins:

	<b>Bulletin</b>
2-1/2" - 60" (DN 65-1500) ANSI Class 150 valves	W101-6
3" - 36" (DN 80-900) ANSI Class 300 valves	W101-6
3" - 24" (DN 80-600) ANSI Class 600 valves	W104-1
30" - 60" (DN 750-1500) Series 835 Process-Rated ANSI Class 150 <i>WAFER-SPHERE</i> valves	W105-1

## HOW TO ORDER

To order jacketed Jamesbury *WAFER-SPHERE* high performance butterfly valves, utilize the ordering information for the standard valve from the appropriate bulletin listed at left and specify steam jacketed per bulletin W151-3.

## Installation Instructions, Maintenance and Operation

IMO's (Installation, Maintenance, and Operating instructions) or AMI's (Assembly, Mounting, and Installation instructions) are shipped with the products. Additional copies of these instructions are available. Call your local Metso Automation Distributor, or visit our web site.

### Metso Automation, Field Systems Division

**Europe**, Levytie 6, P.O.Box 310, 00811 Helsinki, Finland. Tel. int +358 20 483 150. Fax int. +358 20 483 151

**Europe (UK)**, 8 Pipers Wood Industrial Park, Waterlooville, Hampshire PO7 7XU UK. Tel. int +44 (0)23 9223 8500. Fax int. +44 (0)23 9223-8510

**North America**, 44 Bowditch Drive, P.O.Box 8044, Shrewsbury, Massachusetts, 01545-8044 USA. Tel. int. +1 508 852 0200. Fax int. +1 508 852 8172

**North America**, 3100 Medlock Bridge Road, Suite 250, Norcross, GA 30071, USA. Tel. int. +1 770 446 7818. Fax int. +1 770 242 8386

**Latin America**, Av. Central, 181- Cháracas Reunidas, 12238-430, São Jose dos Campos. Tel. int. +55 12 335 3500. Fax int. +55 12 335 3535

**Asia Pacific**, 501 Orchard Road, #05-09 Wheelock Place, 238880 Singapore. Tel int. +65 735 5200. Fax int. +65 735 2955

[www.jamesbury.com](http://www.jamesbury.com)

